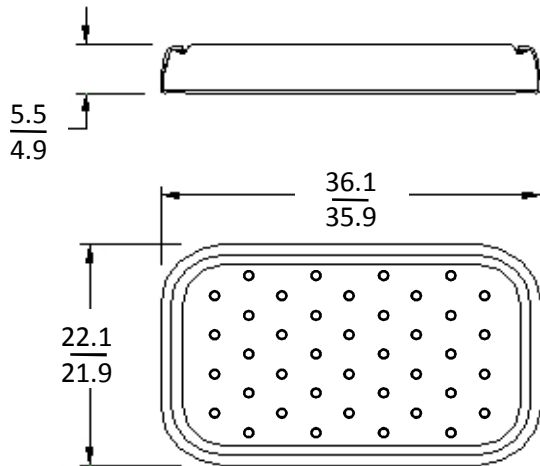


ENERGIZER PP425

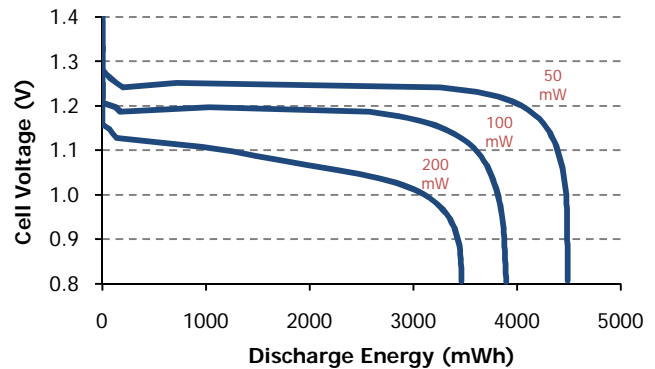
Approximate Dimensions
(millimeters)



Specifications

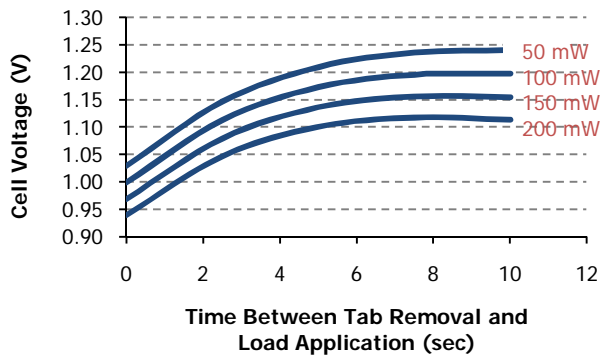
Classification:	Zinc Air Prismatic
Chemical System:	Zinc Air (Zn-O ₂)
Designation:	PP425
Nominal Voltage:	1.4 volts
Rated Capacity:	3600 mAh (90 hour discharge)
Rating Drain:	40 mA continuous at 21°C/50% RH to 1.0V
Typical Weight:	11.7 grams (0.41 ounces)
Typical Volume:	4.0 cubic centimeters (0.24 cubic inches)
Typical Impedance:	260 mΩ at 1K Hz
Air Requirements:	2 cc air/min @ 40 mA

Discharge Profiles - Constant Power



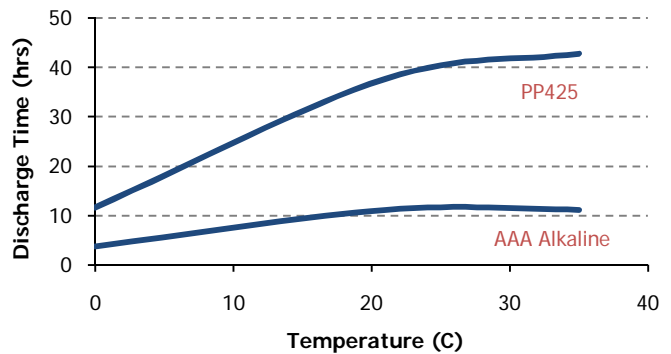
Air Up Time

Typical Voltage When Load Applied



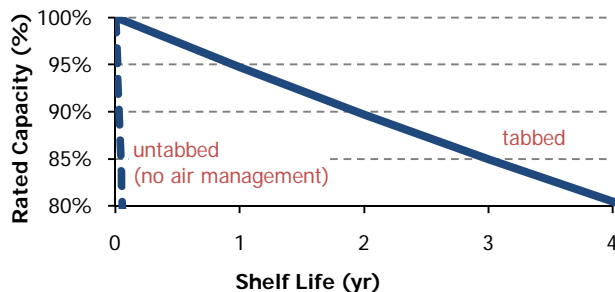
Temperature Effects

100 mW Continuous



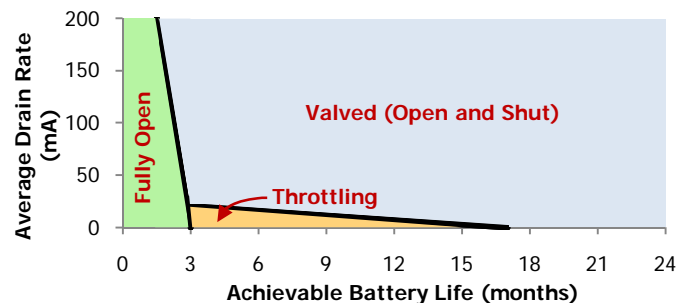
Capacity Maintenance

Tabbed and Untabbed



Air Management

Techniques for Various Applications



Important Notice

This data sheet contains typical information specific to products manufactured at the time of its publication.
©Energizer Holdings, Inc. - Contents herein do not constitute a warranty.